

SONY



PCS-XC1

HD Visual Communication System

IPELA *Exmor* **View-DR**



PCS-XC1

Full HD
1080



IPELA Exmor View-DR

Compact, Lightweight, Mobile - Affordable Visual Communication, Anytime, Anywhere

- Full HD 1080p 60 fps^{*1} smooth and fine video image with View-DR
- Superb audio quality with new echo canceller
- Convenient RFZ Remote Commander™
- Wireless LAN connectivity^{*2} backed by Sony's Intelligent QoS

Stunning 1080/60p^{*1} HD Video Images with View-DR

The PCS-XC1 adopts the H.264 high-efficiency video codec to bring you smooth and natural HD 1920 x 1080/60p broadcast-quality images.

Stunning HD video enhances your videoconferencing with lifelike images, and gives you a wider range of ways to use visual communication. The PCS-XC1 also enables simultaneous 30-fps transmission of HD conference video and an H.239-compliant PC screen image, both at 1,920x1,080^{*1} resolution.

Furthermore, this unit incorporates Sony's Exmor CMOS sensor and View-DR technology. These features optimize the brightness of each pixel, enabling the PCS-XC1 to deliver clear images even in dimly lit rooms when using a projector, or in rooms with poor backlighting conditions.



1080/30p



1080/60p



Without View-DR function



With View-DR function

Simulated images

Superb MPEG4 AAC Audio Quality with New Echo Canceller

The PCS-XC1 supports a new and sophisticated echo canceller. By further evolving conventional echo-cancelling technology, Sony has achieved a solution capable of adjusting properly collected sound levels according to their distance from the system and according to the installation environment.

With these capabilities, the unit captures clear voices even when the people who are speaking are a distance away from the microphone, ensuring comfortable communication.

Wireless LAN Connectivity^{*2} Backed by Sony's Intelligent QoS

To activate the wireless function of the PCS-XC1, simply install an optional PCSA-WXC1 wireless software license and a wireless LAN module in the USB port. Then whenever you carry this unit into wireless LAN range, you can instantly access video and audio communication.



The PCS-XC1 incorporates an enhanced Intelligent QoS system. This works optimally even in an unstable wireless network environment, controlling and greatly reducing video artifacts caused by packet loss, regardless of the transmission distance. The following three methods are applied adaptively in accordance with the network condition: Adaptive FEC (Forward Error Correction), Real-time ARQ (Automatic Repeat reQuest), and ARC (Adaptive Rate Control).



Without Intelligent Qos



With Intelligent Qos

Simulated images

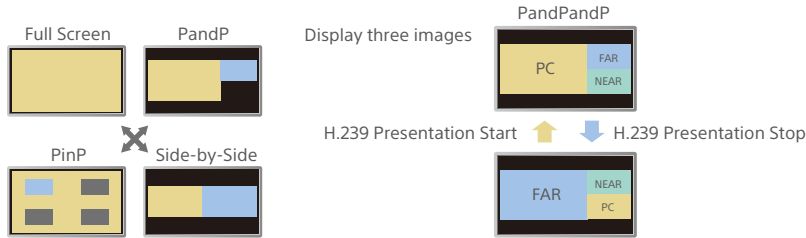
*1 The PCS-XC1 requires an optional PCSA-RXC1 HD upgrade software license.

*2 The PCS-XC1 requires an optional PCSA-WXC1 wireless software license. This will be supported with version 1.1 or later.

Other Features and Benefits

Multiple Display Layout

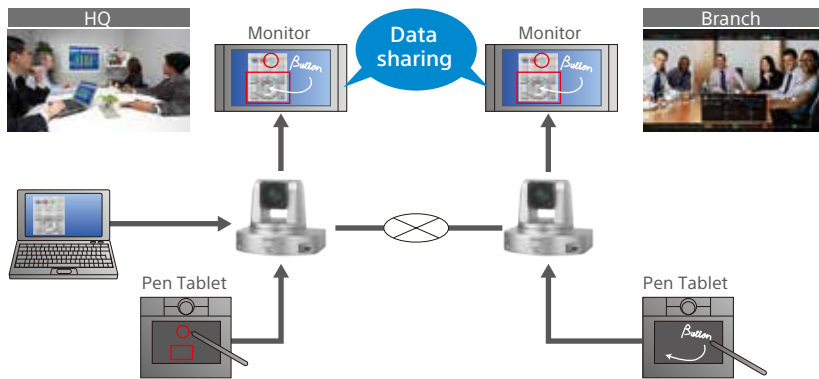
Users can select the following display layouts: Full Screen, Picture-in-Picture (PinP), Picture-and-Picture (PandP), Picture-and-Picture-and-Picture (PandPandP), and a Side-by-Side split screen. By selecting any of these flexible display patterns, both videoconferencing images and presentation data can be displayed in ways that are effective and pleasing to the eye.



Video Annotation Function*

For effective communication, the PCS-X1 supports a video annotation function. Conference participants can clearly point out specific parts of shared data, including live images and presentation data, by simply writing on a tablet. This function can help you minimize time and effort in your communication, and allow you to deliver a clear and strong message. This function works from both local and remote sites bi-directionally.

* A commercially available third-party tablet device is required.



HD Recording Via USB Port

The PCS-XC1 is equipped with two USB ports – one on the front panel and one on the rear panel – which are for HD recording to USB 2.0 memory.

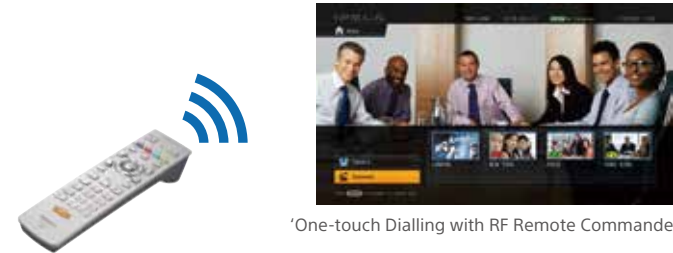


Direct Connection Between Mobile Endpoint Devices and the PCS-XC1

By installing an optional PCSA-SAG1 mobile access software license, the system can connect directly from a smartphone and a tablet installed with IPELA Communication Mobile software (both Android and iOS versions are available).

Intuitive GUI and Convenient RF Remote Commander

An ergonomically designed RF remote commander makes dialing easy – just press the button to specify the thumbnail image of any contact registered on the menu GUI. Unlike an IR (infrared ray) remote commander, an RF (radio frequency) commander is omnidirectional, and can transmit a command from any direction.



*One-touch Dialling with RF Remote Commander

Simulated images

Other Features

- One-touch dialing with Kiosk mode
- Far End Camera Control (FECC)
- Intuitive GUI: translucent cascading menu keeps video always in view
- Kensington Security Slot offers protection against theft

Specifications

Camera	Sensor	1/2.8 Exmor CMOS	
	Image Sensor (Number of Effective Pixels)	Approx. 2.1 Megapixels	
	Output Pixels (H x V)	1920 x 1080	
	Frame Rate	60 fps	
	S/N Ratio	50 dB	
	Exposure Control	Auto/Manual	
	Optical Zoom	12x	
	Digital Zoom	12x	
	Focusing System	Auto/Manual	
	Horizontal Viewing Angle	71 degree (Wide)	
	Focal Length	f=3.9mm(wide) to 46.8 mm(Tele) F1.8 to 2.0	
	Minimum Object Distance	~1500 mm(Tele)	
	Pan/Tilt Angle	Pan ±100°/Tilt ±25°	
	Preset Position	100 positions	
	Other Features	Auto Gain Control, Auto White Balance, Exposure Compensation View-DR function	
	Key Features	Data Sharing	PC images up to 1080p resolution is supported with optional software PCSA-RXC1. PC images up to SXGA resolution is supported. (standard) Video annotation function is available.
		Lip Synchronization	AUTO/OFF
Mic Off Function		ON/OFF	
Recording Feature		Audio: 64 kbps Video: 512 kbps to 1 Mbps (2-step)	
Maximum Frame Rate		H.263 QCIF 30 fps, CIF 30 fps, 4CIF 30 fps H.264 QCIF 30 fps, CIF 30 fps, 4CIF 30 fps, wCIF 30 fps, w432p 30 fps, w4CIF 30 fps, 720p 60 fps, 1080p 60 fps	
Video	Communication Protocol Standards	H.263, H.263+, H.263++, H.264, H.264 High Profile, MPEG-4 SP@L3	
	Resolution	4:3 QCIF (176 x 144), CIF (352 x 288), 4CIF (704 x 576) 16:9 wCIF/w288p (512 x 288), w432p (768 x 432), w4CIF (1024 x 576), 720p (1280 x 720), 1080p (1920 x 1080)	
	Bit Rate	64 kbps to 4,096 kbps	
	Screen Layout	Full Screen, PinP, PandP, SideBySide, PandPandP	
	Audio	Bandwidth and Coding	MPEG-4 AAC Mono: 11 kHz at 64 kbps, 96 kbps MPEG-4 AAC Mono: 22 kHz at 64 kbps, 96 kbps G.711: 3.4 kHz at 56 kbps, 64 kbps G.722: 7.0 kHz at 48 kbps, 56 kbps, 64 kbps G.728: 3.4 kHz at 16 kbps
		Other Features	Mono echo-cancelling (ON/OFF), Auto Gain Control, Noise Reduction

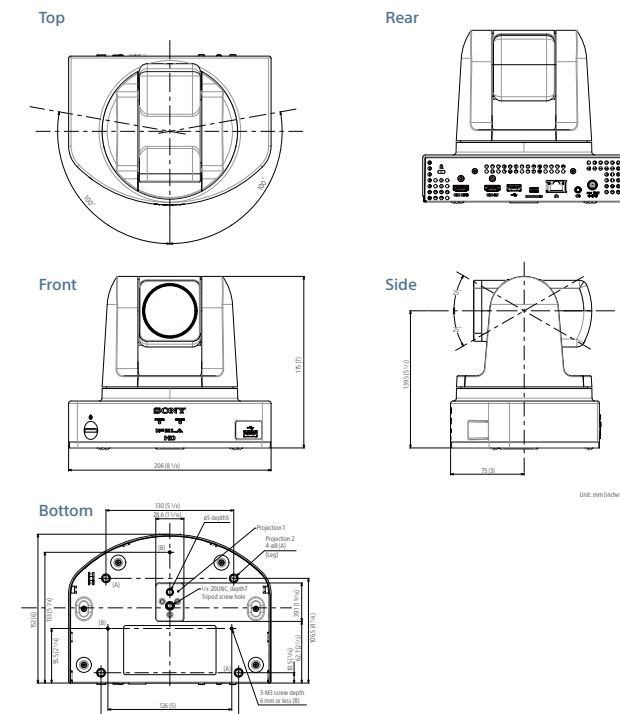
Network	Protocols	TCP/IP, UDP/IP, DHCP, DNS, HTTP, TELNET, SSH, SNMP, NTP, ARP, RTP/RTCP	
	QoS (Quality of Service)	Adaptive FEC (Forward Error Correction), Real-time ARQ (Auto Repeat reQuest), ARC (Adaptive Rate Control), IP Precedence, DiffServe	
	Other Network Features	Packet reordering, TCP/UDP port setting, NAT, PPPoE, UDP shaping, Encryption, Auto gatekeeper discovery, UPnP*, URI Dialing, IPv6	
	Interface	Video Input	External video inputs (HDMI x 1)
		Video Output	HDMI x 1
		Control Input	Mini-USB x 1
		Audio Input	External analog microphone input Mini-jack (Plug in power) x 1
		Audio Output	HDMI (video, audio) x 1
		Network Port	10BASE-T/100BASE-TX/1000BASE-T x 1
	Standard	Maintenance Interface	Mini-USB x 1
Others		USB x 2 (Pen Tablet, USB Memory, Wireless LAN Module)	
Communication Protocol Standards		ITU-T H.323*, IETF SIP	
ITU-T (excluding audio/video standards)		H.241, H.243, H.245, H.460.18, H.460.19	
IETF		RFC2190, RFC3016, RFC3047, RFC3261, RFC3264, RFC3550, RFC3984, RFC4573, RFC4587, RFC4629, RFC4856, RFC4628, RFC5168	
Encryption		H.235 ver.3	
Far End Camera Control		H.281	
Frame Format		H.225.0	
Dual Stream		H.239 (video and presentation data)	
General		Power Requirements	DC 19.5 V (AC Adapter : AC 100 V to 240 V, 50/60 Hz)
	Power Consumption	24W	
	Power Consumption (Standby)	18W	
	Operating Temperature	5°C to 35°C (41°F to 95°F)	
	Storage Temperature	-20°C to +60°C (-4°F to +140°F)	
	Operating/Storage Humidity	20% to 80% (no condensation)	
	Dimensions (W x H x D)	Approx. 206 x 175 x 152 mm (excluding projections) Approx. 8 1/8 x 7 x 6 inches (excluding projections)	
	Mass	Approx. 1.8 kg (Approx. 3 lb 15 oz)	
	Supplied Accessories	PCS-A1 microphones (1) AC adapter (1) HDMI cable (3m) (1) RF Remote Commander Unit (1) Before using this unit (1) Installation Guide (1) Warranty booklet (1)	

*1 It is unavailable depending on the model.

*2 Interoperable with other manufacturer's endpoint which is compliant to H.323. It does not mean that all connections are guaranteed.

Optional Accessories	
Model Name	Descriptions
PCSA-RXC1	Full HD upgrade software license
PCSA-WXC1	Wireless network software license and dongle
PCSA-SAG1	Mobile access software license

Dimensions



Distributed by



©2016 Sony Corporation. All rights reserved.
 Reproduction in whole or in part without written permission is prohibited.
 Features and specifications are subject to change without notice.
 Screen images are simulated.
 The values for mass and dimension are approximate.
 "SONY", "IPELA", "Exmor", and "Remote Commander" are trademarks of Sony Corporation.
 All other trademarks are the property of their respective owners.