



Conference Echo Canceller

PJP-EC200

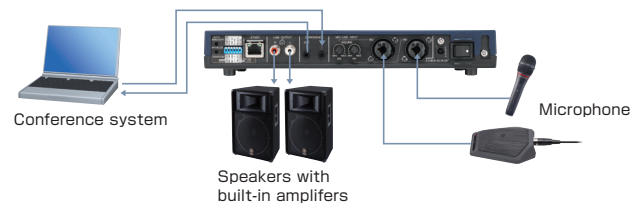
An external echo cancelling device that supports a variety of applications and environments for remote conferencing and remote lectures.

Large conference rooms



Connecting a microphone speaker directly

No mixer required—with its 2 channel mixing function, you can connect a microphone directly to the PJP-EC200.



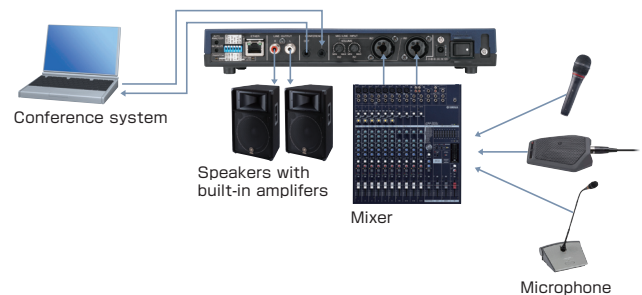
Assembly rooms



Connecting through a mixer

Mixers and other PA equipments can be connected to accommodate three or more microphones.

* Speakers can also output via the mixer.



Adaptive echo canceller

- 100 Hz-20,000 Hz bandwidth
- Also supports handheld and lapel microphones for movement while speaking.
- The 2 channel echo canceller enables combinations of different microphones (such as boundary and handheld microphones), or use in large conference halls.

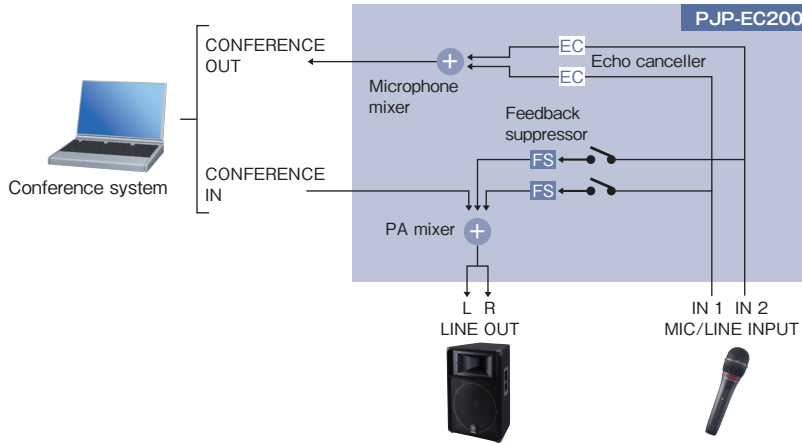
Variety of audio technologies

- Advanced feedback suppressor supports the PA functionality needed for two-way remote lectures and seminars.
- Two-way noise canceller delivers clear, noise-free calls.
- Auto gain control maintains consistent pickup level regardless of the distance between talker and microphone.

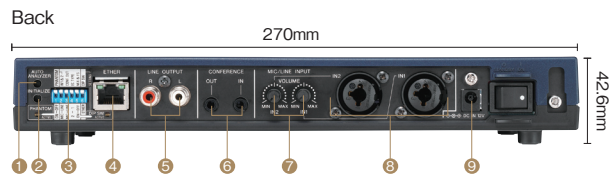
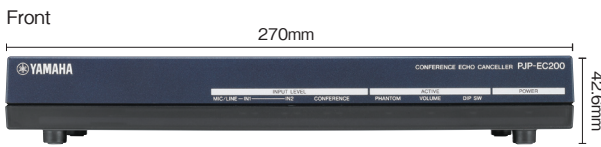
Highly adjustable

- Settings easily changed on the main unit using dip switches.
- GUI provides detailed adjustment of noise reduction, feedback suppression, and other settings.
- Auto analyzer makes installation easy by measuring and adjusting microphone-to-speaker distance and feedback suppression.

Block diagram



Dimensions



- 1 Auto analyzer button
- 2 Initialize button
- 3 DIP switch (for setup)
- 4 Ethernet (for setup)
- 5 Line output
- 6 Stereo mini
- 7 Mic level controllers
- 8 Phone or XLR
- 9 AC adapter

Detailed specifications

		Conference Echo Canceller PJP-EC200						
General	Interfaces	LINE OUTPUT (L/R): Stereo RCA pin-jacks CONFERENCE (IN/OUT): Stereo mini jacks MIC/LINE INPUT: XLR/PHONE combo jacks 2 ch (48-V phantom power supply supported)						
	Max. power consumption	6 W or less						
	Radio interference standard	VCCI Class A,						
	Operating environment	Operating temperature: 0°C to 40°C Operating humidity: 15% to 85% (no condensation)						
	Dimensions	270mm x 42.6mm x 180mm (not including cables and terminals)						
	Weight	753 g (excluding power adapter)						
	Power supply	AC 100 to 240 V (50/60Hz)						
	Accessories	AC adapter x 1, Power cable x 1, CD-ROM x 1, Installation/Setup Manual x 1						
Audio	Signal processing	Adaptive echo canceller, Feedback suppressor, Noise reduction, Auto gain controller						
	Frequency range	100 to 20,000 Hz						
	Arrival time of direct sound	120 ms maximum						
	Echo cancelling time	400 ms maximum						
	Echo cancelling capacity	60 dB maximum						
	Noise reduction	17 dB maximum						
Input specifications	Terminal	Specification	Input level		Input impedance			
			Rated input level			Maximum input level		
			MIC/LINE IN 1 - 2	XLR, balanced, IN 1 & 2 (MIC)		-60 dBμ to -20 dBμ	-6 dBμ	3 kΩ
				XLR, balanced, IN 1 & 2 (LINE)		-30 dBμ to +10 dBμ	+20 dBμ	50 to 600 Ω
				PHONE, unbalanced, IN 1 & 2 (MIC)		-60 dBμ to -20 dBμ	-6 dBμ	2.4 kΩ
PHONE, unbalanced, IN 1 & 2 (LINE)	-30 dBμ to +10 dBμ	+20 dBμ						
CONFERENCE IN	Mini jack, unbalanced	-7.8 dBμ	0dBu	15kΩ				
The XLR jacks support phantom power (+48 V) 0 dBμ = 0.775 Vrms, 0dBV = 1 Vrms								
Output specifications	Terminal	Specification	Output level		Output impedance			
			Rated output level			Maximum output level		
			MAIN OUT	RCA pin jack, unbalanced,		-10 dBV	-3 dBV	600Ω
CONFERENCE OUT	Mini jack, unbalanced, CONF.OUT (LINE)	-10 dBV	-3 dBV	600Ω				
	Mini jack, unbalanced, CONF.OUT (MIC)	-30 dBV	-23 dBV	600Ω				
0 dBμ = 0.775 Vrms, 0dBV = 1 Vrms								

For details please contact:

PEAK
CONFERENCE
www.PeakConference.com

YAMAHA
CREATING 'KANDO' TOGETHER

YAMAHA CORPORATION
P. O. Box 1, Hamamatsu, Japan

MPJPEC001E